



PROJECT NO. 50207753

DATE 9/3/2015

Quoted To: American Panel
Attn:

Project location:
Quoted by: Donnie Rupp
Phone 770-465-5600 - Fax 800-770-4450
E-mail donnie.rupp@heatcrafterpd.com
Quote Validity date 60 Days.
cc:

PROJECT SPECIFICATIONS

WATER COOLED CONDENSING UNIT

Model: WS1200M6*AP

R-404A Indoor one (1) compressor water cooled condensing unit 208-230/3/60 - 460/3/60
Compressor mounted on top of condenser like standard WS units.

Compressors

One (1) 4TE-12-2NU compressor @ 15°F SST / + 85°F EWT / 106,000 BTUH
One (1) 4TE-12-2NU compressor @ -40°F SST / + 85°F EWT 20,500 BTUH

Compressor is a Bitzer semi-hermetic reciprocating compressor w/service valves, encapsulated high pressure control, adjustable low pressure control, oil safety control, suction/discharge vibration eliminators, and crankcase heater.

Water cooled condenser

Horizontal water cooled condenser w/ pressure relief system
111 lbs Nominal pumpdown capacity
85° F EWT / 25.2 GPM / 0.8 psid / 15° F SST
85° F EWT / 3.5 GPM / 0.1 psid / -40° F SST

Liquid / Suction Groups

Liquid line w/replaceable core filter/drier and sight glass.
Replaceable core suction filter
Suction accumulator
One (1) suction and liquid stub out.

Mounted valves & controls

One (1) adjustable low pressure control.
Braided stainless steel superhose for control lines.
Water regulating valve.

Oil System



PROJECT NO. 50207753

DATE 9/3/2015

Quoted To: American Panel
Attn:

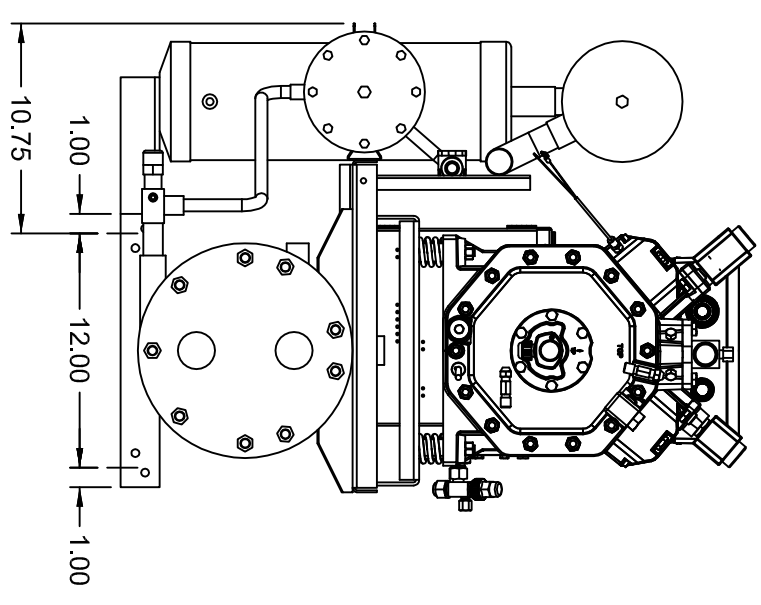
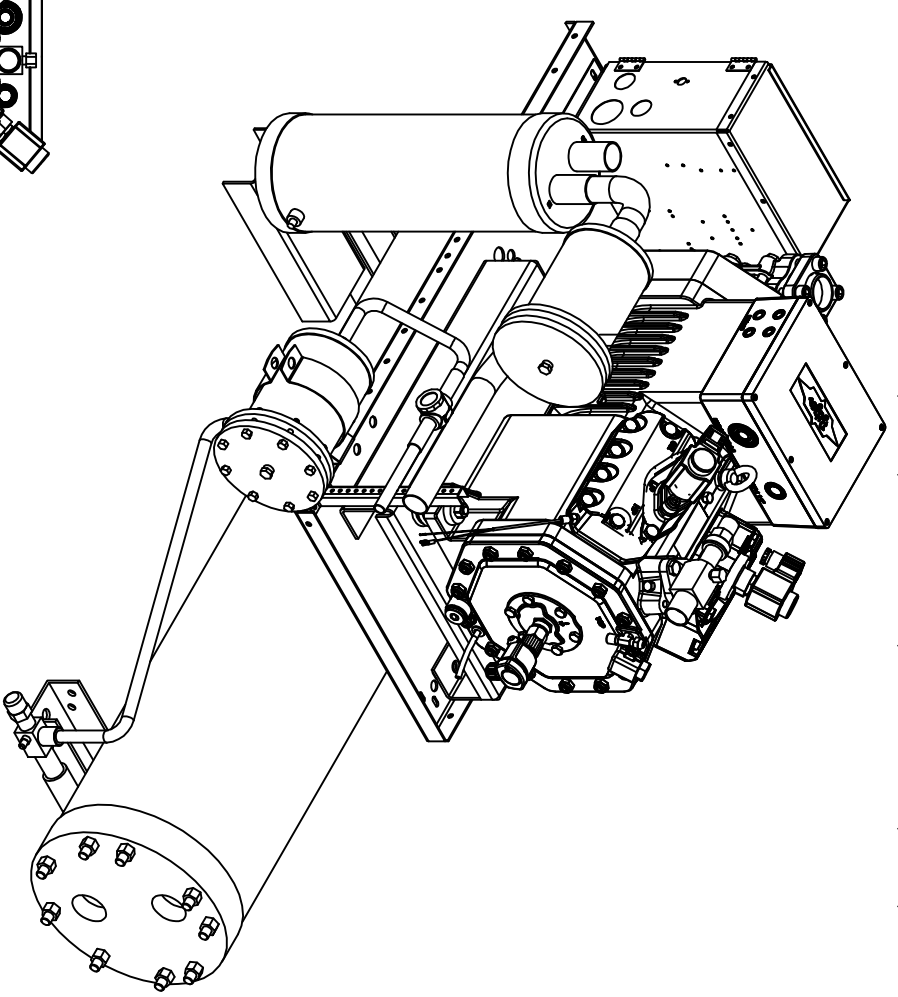
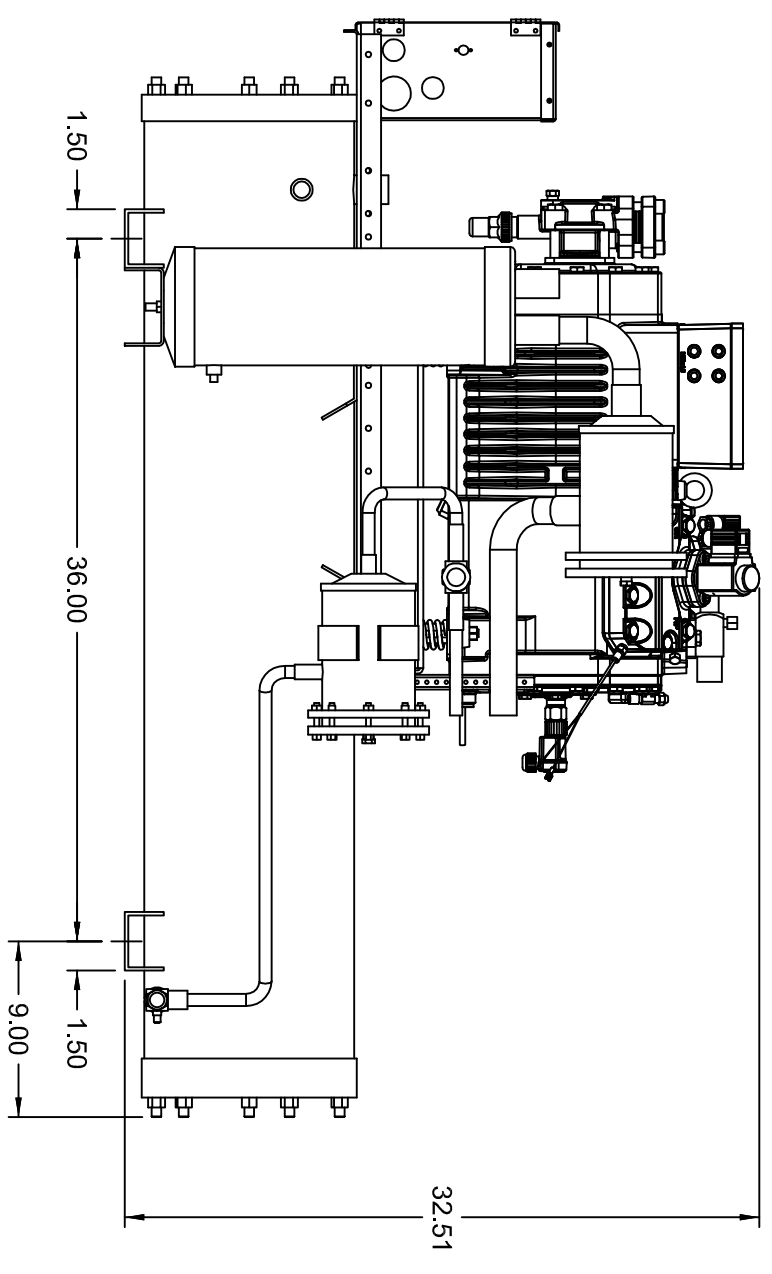
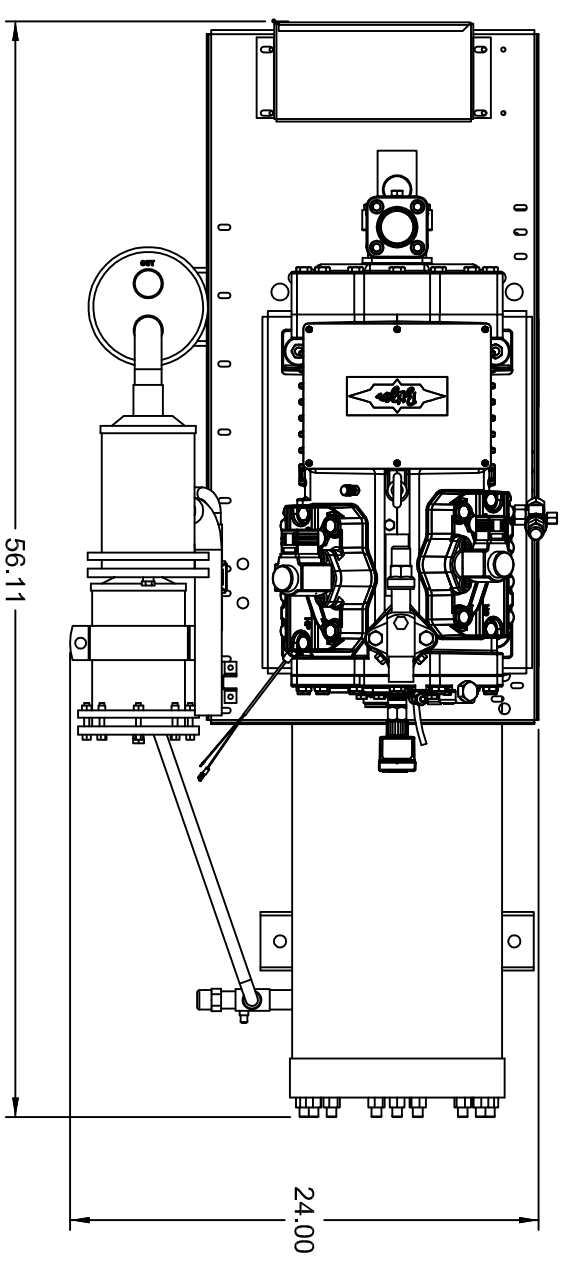
Project location:
Quoted by: Donnie Rupp
Phone 770-465-5600 - Fax 800-770-4450
E-mail donnie.rupp@heatcrafterpd.com
Quote Validity date 60 Days.
cc:

PROJECT SPECIFICATIONS

Electrical Panel

Nema 4 Control Panel for 460/3/60 or 230/3/60
ETL Listed electrical enclosure
Electrical distribution block
Phase monitor
Control circuit transformer
230/1/60 control circuit
Compressor motor contactor
Non fused disconnect
Misc. fuses, relays, switches, & terminal strips

Approximate Dimension : 46" L x 37" W x 43" H
Approximate Weight: 595 lbs.



UNIT SPECIFICATIONS

MODEL	LIQUID CONNECTIONS (ODS)	SUCTION CONNECTIONS (ODS)	WATER FTG (FPT)	REFRIG. TYPE	APPL. RANGE °F	SHIPPING WT. (LBS) APPROX.	PUMPDOWN CAPACITY (LBS) 90%
WS1200M6AP	7/8"	1-5/8"	1-1/2"	R-404A/507	-40/+15	595	111

ELECTRICAL CHARACTERISTICS

COMPRESSOR MODEL NO.	POWER SUPPLY	COMPRESSOR		UNIT	
		RLA	LRA	MCA	MOPD
4TE-12-2NU	208-230V/3Ø/60HZ	46.8	252	58.5	100
4TE-12-2NU	460V/3Ø/60HZ	21.2	126	26.5	45

REFRIGERATION PRODUCTS LLC
STONE MOUNTAIN, GEORGIA
U.S.A.

THIS DOCUMENT CONTAINS MATERIAL AND/OR INFORMATION WHICH IS THE PROPERTY OF HEATCRAFT INC. AND IS SUPPLIED ONLY ON A PROPRIETY BASIS. NO TRANSMITTAL SHALL BE MADE TO ANY PERSON, FIRM, OR CORPORATION WITHOUT PRIOR WRITTEN APPROVAL.

TUBING	
FRACTIONAL	±.03
1 TO 3/6	±.06
OVER 3/6	±.13
ANGLES	±5°
TOLERANCE BLOCK	
ISSUED	02/25/94
REV.	A

SHEET METAL	
CUT SIZE	±.03
HOLE DIAMETER	±.005
ENDPLATE TUBE HOLE	±.001
C/L OF HOLES	±.02
ANGLES	±2°
FORMED DIMENSIONS	±.03
0 TO 3/6	±.06
12 TO 3/6	±.19
36 TO 9	±.19
OVER 96	±.13

COIL ASSEMBLY	
FINNED LENGTH	±.06
0 TO 24	±.13
24 TO 75	±.19
OVER 75	±.13
CONNECTIONS	±.13
FIN QTY.	±3%
BOW (ANY DIRECTION)	0 TO 3/6
12 TO 3/6	±.13
36 TO 9	±.19
OVER 96	±.25

WIRE AND CONDUIT	
WIRE CUT SIZE	+50/-00
CONDUIT CUT SIZE (NOT UNDER TENSION)	+38/-00
12 TO 3/6	+75/-00
OVER 3/6	

UNIT SUBMITTAL	
TITLE	UNIT SUBMITTAL
PRODUCT	WATER COOLED
PART NO.	WS1200M6AP
DWG. NO.	B
REV.	

DRAWN	DATE
TLD	9/15/2015
APPROVED	DATE
JEH	9/15/2015
SHT.	1 OF 1