



Quoted To: American Panel
Attn:

Project location:
Quoted by: Donnie Rupp
Phone 770-465-5600 - Fax 800-770-4450
E-mail donnie.rupp@heatcrafterpd.com
Quote Validity date 60 Days.
cc:

PROJECT SPECIFICATIONS

OUTDOOR CONDENSING UNIT

Model: BLV120BM6*AP

R-404A Outdoor one (1) compressor condensing unit 208-230/3/60 - 460/3/60
Galvanized steel baseframe
Built on a BLV style base frame

Compressors

One (1) 4TE-12-2NU compressor @ 15°F SST / +95 F AMB / 97,596 BTUH
One (1) 4TE-12-2DU compressor @ -40°F SST / +95°F AMB / 20,648 BTUH
Compressor is a Bitzer semi-hermetic reciprocating compressor w/service valves, encapsulated high pressure control, adjustable low pressure control, oil safety control, suction/discharge vibration eliminators, and crankcase heater.

Receiver

Horizontal liquid receiver w/ pressure relief system
123 lbs Nominal pumpdown capacity
Low Ambient kit w/ heated and insulated receiver

Liquid / Suction Groups

Liquid line w/replaceable core filter/drier and sight glass.
Replaceable core suction filter
Suction accumulator
One (1) suction and liquid stub out.

Mounted valves & controls

One (1) adjustable low pressure control.
Braided stainless steel superhose for control lines.
Flooded condenser valve for low ambient operation.



PROJECT NO. 50207748rev1

DATE 9/23/2015

Quoted To: American Panel
Attn:

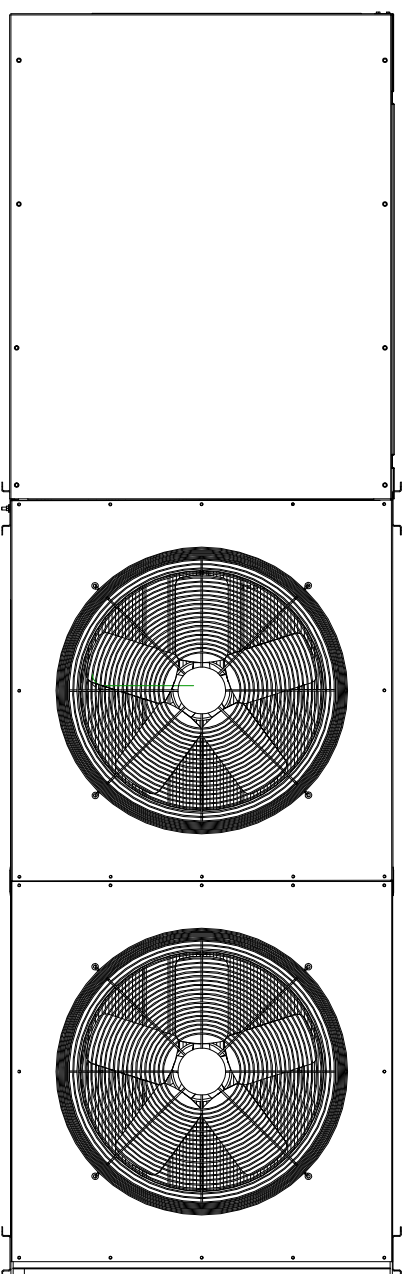
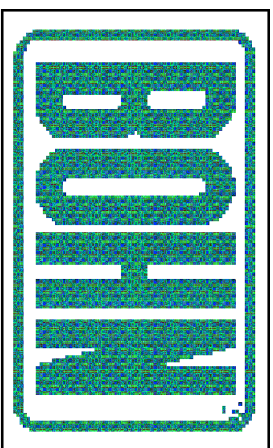
Project location:
Quoted by: Donnie Rupp
Phone 770-465-5600 - Fax 800-770-4450
E-mail donnie.rupp@heatcrafterpd.com
Quote Validity date 60 Days.
cc:

PROJECT SPECIFICATIONS

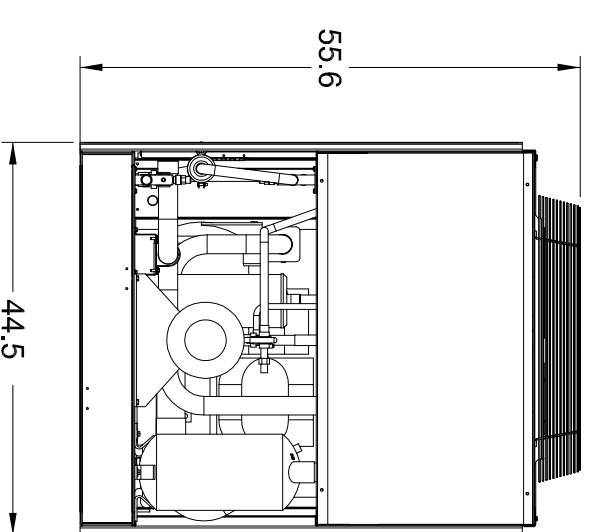
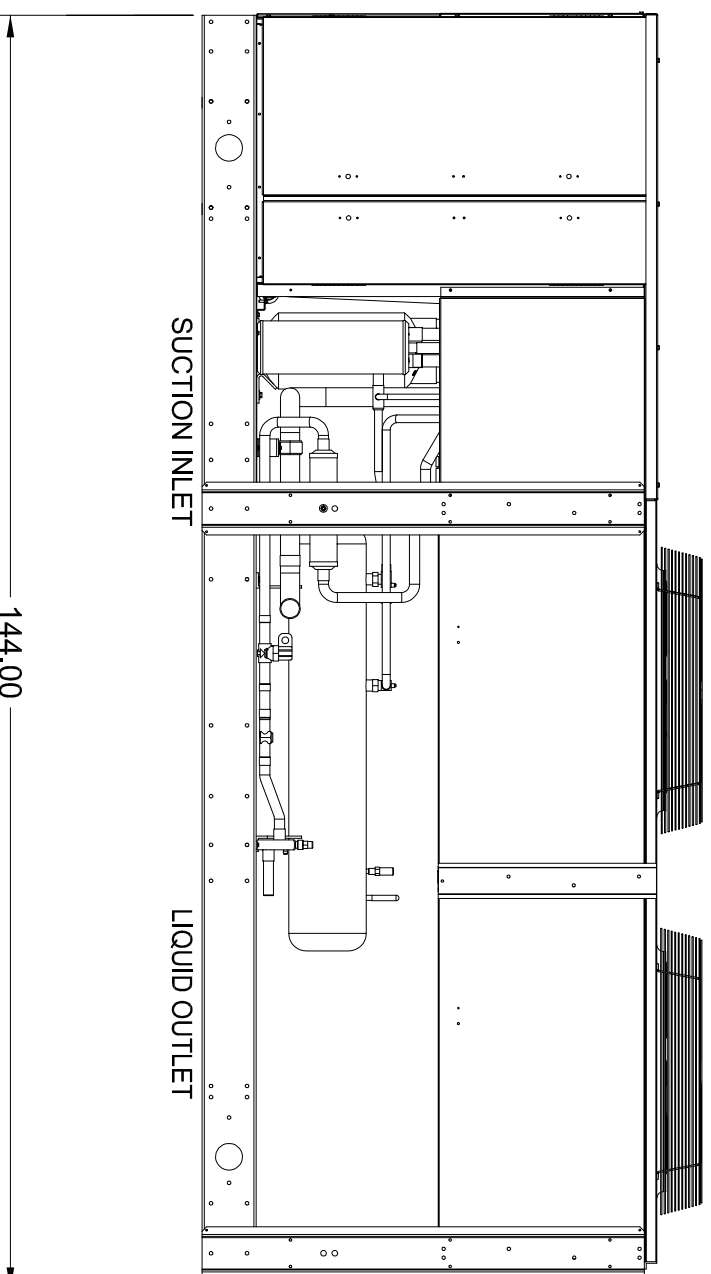
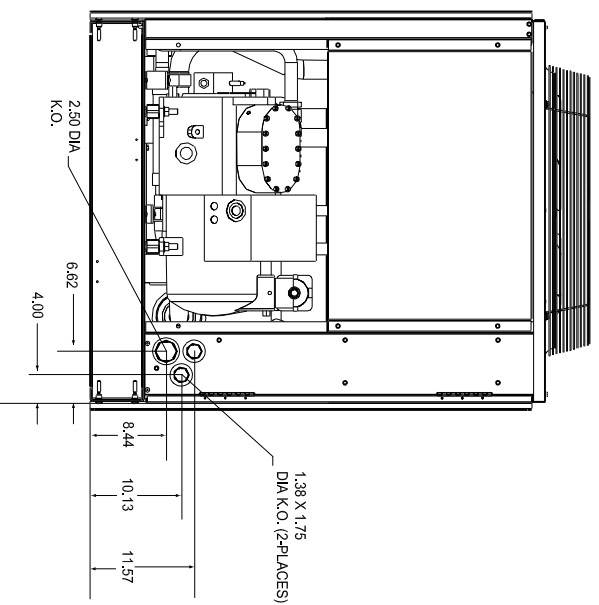
Electrical Panel

NEMA 4 Control Panel for 460/3/60 or 230/3/60
ETL Listed electrical enclosure
Electrical distribution block
Phase monitor
Control circuit transformer
230/1/60 control circuit
Compressor motor contactor
Condenser fan contactors
Pressure fan cycle controls
Non fused disconnect
Misc. fuses, relays, switches, & terminal strips

Approximate Dimension : 144" L x 44.5" W x 55.6" H
Approximate Weight: 1,400 lbs.



STANDARD
DIMENSIONAL DATA
2 FAN
VERTICAL CONDENSING UNIT



UNIT SPECIFICATIONS

MODEL	CONNECTIONS		REFRIG. TYPE	APPL. RANGE °F	SHIPPING WT. (LBS) APPROX.	PUMPDOWN CAPACITY (LBS) 80%
	LIQUID (ODS)	SUCTION (ODS)				
BLV120BM6*AP	7/8"	1-5/8"	R-404A/507	-25/+40	1400	123

ELECTRICAL CHARACTERISTICS

COMPRESSOR MODEL NO.	POWER SUPPLY	COMPRESSOR		FAN		UNIT	
		RLA	LRA	QTY	FLA	MCA	MOPD
4TE-12-2NU	208-230V/3Ø/60HZ	46.8	252	2	3.8	66.1	110
4TE-12-2NU	460V/3Ø/60HZ	21.2	126	2	1.9	30.3	50

THIS DOCUMENT CONTAINS MATERIAL AND/OR INFORMATION WHICH IS THE PROPERTY OF HEATCRAFT RPD LLC, AND IS SUPPLIED ONLY ON A PROPRIETARY BASIS. NO TRANSMITTAL SHALL BE MADE TO ANY PERSON, FIRM, OR CORPORATION WITHOUT PRIOR WRITTEN APPROVAL.				TITLE DIMENSIONAL DATA	
REF. NO.	DATE	DRAWN	DATE	MODEL	DWG. NO.
	09/03/2015	TLJ	09/03/2015	BLV120BM6*AP	B
DATE	CHECKED	DATE		SHT. 1 OF 1	REV. 5